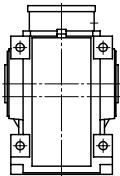
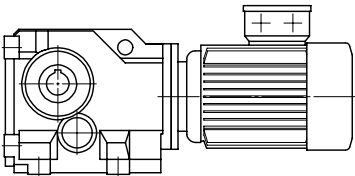
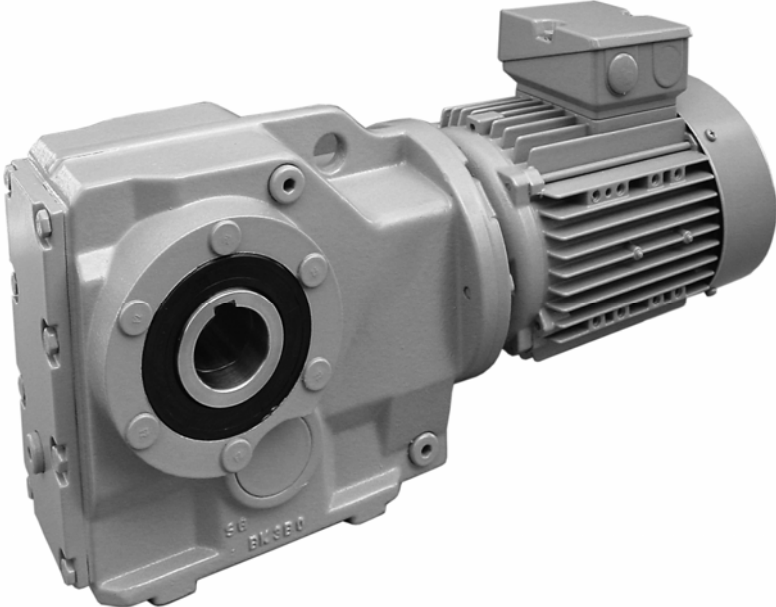
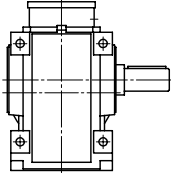
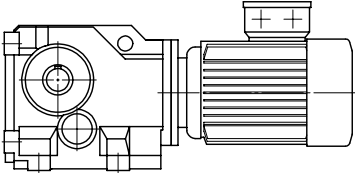


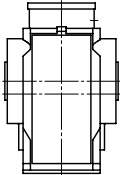
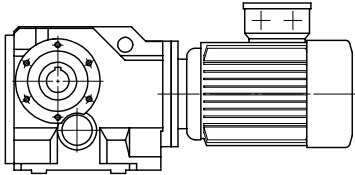
Helical Bevel Geared Motors K



Foot mounted version
with hollow shaft and keyway
Example: K43A DL90L4

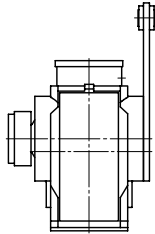
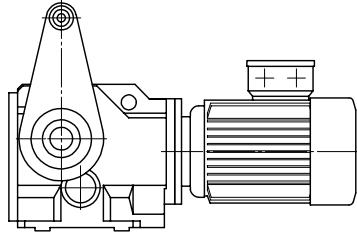


Foot mounted version
with solid shaft and key
Example: K33AV DL80G4

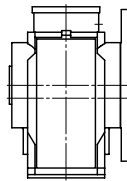
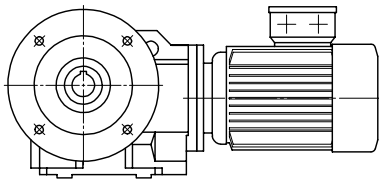


Shaft mounted version
with hollow shaft and keyway
Example: K53B DL132S4

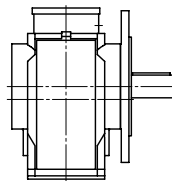
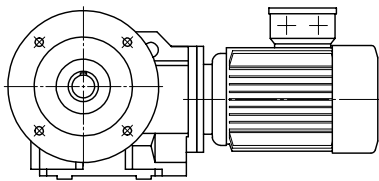
Helical Bevel Geared Motors K



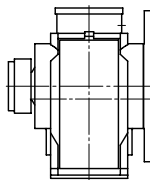
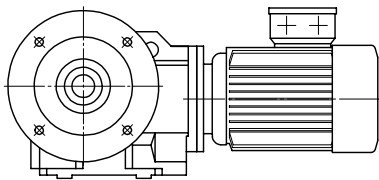
Shaft mounted version
with hollow shaft and shrink disc
with torque arm T1
Example: K53**BT1S** DL160M4



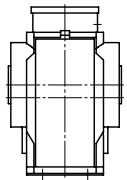
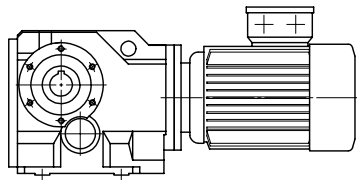
Flange mounted version
with hollow shaft and keyway
Example: K43**C** DA132S4



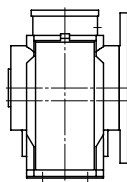
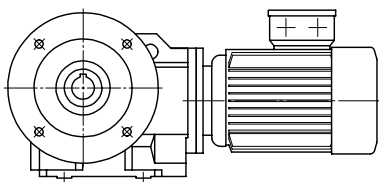
Flange mounted version
with solid shaft and key
Example: K33**CV** DL71G4



Flange mounted version
with hollow shaft and shrink disc
Example: K43**CS** DL100LX4



Shaft mounted version + foot area
with hollow shaft and keyway
Example: K53**D** DL80G4



Flange mounted version + foot area
with hollow shaft and keyway
Example: K33**E** DL90S4



Helical Bevel Geared Motors K



n2	T2	cG	i	Type	Dimensions	~kg
[1/min]	[Nm]				Page	

0.12 kW

0.65	1700	0.85	2176.4	K53G22A DL63K4	140/141	54
0.75	1460	1.00	1868.5	K53G22B DL63K4		54
0.87	1270	1.15	1625.3	K53G22C DL63K4		57
0.99	1110	1.30	1428.5			
1.1	990	1.45	1266.0			
1.2	880	1.60	1129.4			
1.4	790	1.80	1013.0			
1.5	720	2.00	920.69			
1.7	635	2.3	811.74			
2.0	560	2.5	718.94			
2.2	505	2.8	648.83			
2.4	465	3.1	597.22			
2.7	410	3.5	524.36			

1.2	890	0.85	1141.5	K43G12A DL63K4	139/141	34
1.4	795	0.95	1017.0	K43G12B DL63K4		34
1.5	710	1.05	912.99	K43G12C DL63K4		36
1.8	620	1.20	796.88			
2.0	545	1.35	697.97			
2.2	500	1.50	641.52			
2.5	440	1.70	565.19			
2.8	390	1.90	501.06			
3.2	350	2.1	446.44			
3.5	315	2.4	400.77			
4.0	275	2.7	349.80			
4.6	240	3.1	306.38			
5.1	215	3.5	275.54			

2.3	480	0.85	612.54	K33G12A DL63K4	138/141	26
2.6	420	0.95	536.51	K33G12B DL63K4		26
2.9	385	1.05	493.12	K33G12C DL63K4		28
3.2	340	1.20	434.44			
3.7	300	1.35	385.15			
4.1	270	1.50	343.16			
4.6	240	1.65	308.06			
5.2	210	1.90	268.88			
6.0	184	2.2	235.51			
6.7	164	2.4	210.10			
7.5	147	2.7	188.46			
8.2	134	3.0	171.28			
9.3	118	3.4	151.01			
11	104	3.8	133.74			
12	93	4.3	119.69			

n2	T2	cG	i	Type	Dimensions	~kg
[1/min]	[Nm]				Page	

0.12 kW

12	98	4.1	120.13	K33A DL63K4	138	21
14	84	4.8	103.13	K33B DL63K4		21
16	73	5.5	89.71	K33C DL63K4		24
18	64	6.2	78.85			
20	57	7.0	69.88			
23	51	7.9	62.34			
25	45	8.8	55.92			
28	41	9.7	50.82			
31	36	11	44.80			
36	32	12	39.68			
52	22	18	27.26			
58	20	20	24.15			
65	18	23	21.55			
73	16	25	19.33			
80	14	28	17.57			
91	13	32	15.49			
103	11	36	13.72			
152	7.6	32	9.30			
167	6.9	43	8.45			
189	6.1	47	7.45			
214	5.4	50	6.60			

0.18 kW

0.99	1670	0.85	1428.5	K53G22A DL63G4	140/141	54
1.1	1480	0.95	1266.0	K53G22B DL63G4		54
1.2	1320	1.10	1129.4	K53G22C DL63G4		57
1.4	1190	1.20	1013.0			
1.5	1080	1.35	920.69			
1.7	950	1.50	811.74			
2.0	840	1.70	718.94			
2.2	760	1.90	648.83			
2.4	700	2.0	597.22			
2.7	615	2.3	524.36			
3.0	550	2.6	470.34			
3.3	500	2.9	427.46			
3.7	440	3.2	376.88			
4.2	390	3.7	333.79			

1.8	935	0.80	796.88	K43G12A DL63G4	139/141	34
2.0	815	0.90	697.97	K43G12B DL63G4		34
2.2	750	1.00	641.52	K43G12C DL63G4		36
2.5	660	1.10	565.19			
2.8	585	1.25	501.06			
3.2	525	1.40	446.44			
3.5	470	1.60	400.77			
4.0	410	1.80	349.80			
4.6	360	2.1	306.38			
5.1	320	2.3	275.54			
5.7	290	2.5	249.26			
6.2	265	2.8	227.20			
7.0	235	3.1	202.69			
7.8	215	3.5	181.81			

Helical Bevel Geared Motors K



n2	T2	cG	i	Type	Dimensions	~kg
[1/min]	[Nm]				Page	

0.18 kW

3.2	510	0.80	434.44	K33G12A DL63G4	138/141	26
3.7	450	0.90	385.15	K33G12B DL63G4		26
4.1	400	1.00	343.16	K33G12C DL63G4		28
4.6	360	1.10	308.06			
5.2	315	1.25	268.88			
6.0	275	1.45	235.51			
6.7	245	1.60	210.10			
7.5	220	1.80	188.46			
8.2	200	2.00	171.28			
9.3	177	2.3	151.01			
11	157	2.5	133.74			
12	140	2.8	119.69			
12	146	2.7	120.13	K33A DL63G4	138	21
14	126	3.2	103.13	K33B DL63G4		21
16	109	3.6	89.71	K33C DL63G4		24
18	96	4.2	78.85			
20	85	4.7	69.88			
23	76	5.3	62.34			
25	68	5.9	55.92			
28	62	6.4	50.82			
31	55	7.3	44.80			
36	48	8.2	39.68			
52	33	12	27.26			
58	29	14	24.15			
65	26	15	21.55			
73	24	17	19.33			
80	21	19	17.57			
91	19	21	15.49			
103	17	24	13.72			
152	11	21	9.30			
167	10	29	8.45			
189	9.1	31	7.45			
214	8.0	34	6.60			

0.25 kW

1.4	1680	0.85	1013.0	K53G22A DL71K4	140/141	54
1.5	1520	0.95	920.69	K53G22B DL71K4		54
1.7	1340	1.05	811.74	K53G22C DL71K4		57
1.9	1190	1.20	718.94			
2.1	1070	1.35	648.83			
2.3	990	1.45	597.22			
2.6	870	1.65	524.36			
2.9	780	1.85	470.34			
3.2	705	2.0	427.46			
3.7	625	2.3	376.88			
4.1	550	2.6	333.79			
4.6	500	2.9	301.24			
5.0	460	3.1	277.28			
5.6	410	3.5	247.82			

n2	T2	cG	i	Type	Dimensions	~kg
[1/min]	[Nm]				Page	

0.25 kW

2.5	935	0.80	565.19	K43G12A DL71K4	139/141	34
2.8	830	0.90	501.06	K43G12B DL71K4		34
3.1	740	1.00	446.44	K43G12C DL71K4		36
3.5	665	1.10	400.77			
4.0	580	1.30	349.80			
4.5	505	1.45	306.38			
5.0	455	1.65	275.54			
5.6	410	1.80	249.26			
6.1	375	2.00	227.20			
6.8	335	2.2	202.69			
7.6	300	2.5	181.81			
8.4	275	2.7	164.95			
9.5	240	2.9	146.17			
9.1	260	2.8	151.92	K43A DL71K4	139	30
11	225	3.3	131.28	K43B DL71K4		30
				K43C DL71K4		32
4.5	510	0.80	308.06	K33G12A DL71K4	138/141	26
5.2	445	0.90	268.88	K33G12B DL71K4		26
5.9	390	1.00	235.51	K33G12C DL71K4		28
6.6	350	1.15	210.10			
7.3	310	1.30	188.46			
8.1	285	1.40	171.28			
9.2	250	1.60	151.01			
10	220	1.80	133.74			
12	198	2.0	119.69			
12	205	1.95	120.13	K33A DL71K4	138	21
13	178	2.2	103.13	K33B DL71K4		21
15	155	2.6	89.71	K33C DL71K4		24
18	136	2.9	78.85			
20	120	3.3	69.88			
22	107	3.7	62.34			
25	96	4.1	55.92			
27	88	4.6	50.82			
31	77	5.2	44.80			
35	68	5.8	39.68			
51	47	8.5	27.26			
57	42	9.6	24.15			
64	37	11	21.55			
72	33	12	19.33			
79	30	13	17.57			
89	27	15	15.49			
101	24	17	13.72			
149	16	15	9.30			
164	15	20	8.45			
186	13	22	7.45			
210	11	24	6.60			

Helical Bevel Geared Motors K



n2	T2	cG	i	Type	Dimensions	~kg
[1/min]	[Nm]					Page

0.37 kW

1.9	1770	0.80	718.94	K53G22A DL71G4	140/141	55
2.1	1590	0.90	648.83	K53G22B DL71G4		55
2.3	1470	0.95	597.22	K53G22C DL71G4		58
2.6	1290	1.10	524.36			
2.9	1160	1.25	470.34			
3.2	1050	1.35	427.46			
3.7	925	1.55	376.88			
4.1	820	1.75	333.79			
4.6	740	1.95	301.24			
5.0	680	2.1	277.28			
5.6	610	2.3	247.82			
6.3	540	2.6	220.06			
7.1	480	3.0	195.01			
8.0	425	3.3	173.54			
<hr/>						
3.9	860	0.85	349.80	K43G12A DL71G4	139/141	35
4.5	755	1.00	306.38	K43G12B DL71G4		35
5.0	675	1.10	275.54	K43G12C DL71G4		37
5.5	615	1.20	249.26			
6.1	560	1.35	227.20			
6.8	500	1.50	202.69			
7.6	445	1.65	181.81			
8.4	405	1.85	164.95			
9.4	360	1.95	146.17			
<hr/>						
9.1	390	1.90	151.92	K43A DL71G4	139	31
11	335	2.2	131.28	K43B DL71G4		31
12	295	2.5	114.99	K43C DL71G4		33
14	260	2.9	101.80			
15	235	3.2	90.90			
17	210	3.5	81.75			
<hr/>						
7.3	465	0.85	188.46	K33G12A DL71G4	138/141	27
8.1	420	0.95	171.28	K33G12B DL71G4		27
9.1	370	1.05	151.01	K33G12C DL71G4		29
10	330	1.20	133.74			
12	295	1.35	119.69			
<hr/>						
11	310	1.30	120.13	K33A DL71G4	138	22
13	265	1.50	103.13	K33B DL71G4		22
15	230	1.75	89.71	K33C DL71G4		25
18	200	2.00	78.85			
20	179	2.2	69.88			
22	160	2.5	62.34			
25	143	2.8	55.92			
27	130	3.1	50.82			
31	115	3.5	44.80			
35	102	3.9	39.68			
51	70	5.7	27.26			
57	62	6.5	24.15			
64	55	7.2	21.55			
71	49	8.1	19.33			
79	45	8.9	17.57			
89	40	10	15.49			
101	35	11	13.72			
148	24	10	9.30			
163	22	14	8.45			
185	19	15	7.45			
209	17	16	6.60			

n2	T2	cG	i	Type	Dimensions	~kg
[1/min]	[Nm]					Page

0.55 kW

3.0	1680	0.85	470.34	K53G22A DL80K4	140/141	57
3.3	1530	0.95	427.46	K53G22B DL80K4		57
3.7	1350	1.05	376.88	K53G22C DL80K4		61
4.2	1190	1.20	333.79			
4.7	1080	1.35	301.24			
5.1	990	1.45	277.28			
5.7	885	1.60	247.82			
6.4	785	1.80	220.06			
7.2	695	2.0	195.01			
8.1	620	2.3	173.54			
<hr/>						
10	520	2.8	138.94	K53A DL80K4	140	52
11	460	3.1	123.46	K53B DL80K4		52
13	410	3.5	110.68	K53C DL80K4		55
<hr/>						
5.7	890	0.85	249.26	K43G12A DL80K4	139/141	38
6.2	815	0.90	227.20	K43G12B DL80K4		38
7.0	725	1.05	202.69	K43G12C DL80K4		40
7.8	650	1.15	181.81			
8.5	590	1.25	164.95			
9.6	525	1.35	146.17			
<hr/>						
12	430	1.75	114.99	K43A DL80K4	139	33
14	380	1.95	101.80	K43B DL80K4		33
16	340	2.2	90.90	K43C DL80K4		35
17	305	2.4	81.75			
19	275	2.7	73.96			
21	250	3.0	67.41			
23	225	3.3	60.14			
<hr/>						
11	480	0.85	133.74	K33G12A DL80K4	138/141	30
12	430	0.95	119.69	K33G12B DL80K4		30
				K33G12C DL80K4		32
<hr/>						
16	335	1.20	89.71	K33A DL80K4	138	25
18	295	1.35	78.85	K33B DL80K4		25
20	260	1.55	69.88	K33C DL80K4		27
23	230	1.70	62.34			
25	210	1.90	55.92			
28	189	2.1	50.82			
31	167	2.4	44.80			
36	148	2.7	39.68			
52	102	3.9	27.26			
58	90	4.4	24.15			
65	80	5.0	21.55			
73	72	5.5	19.33			
80	65	6.1	17.57			
91	58	6.9	15.49			
103	51	7.8	13.72			
152	35	7.0	9.30			
167	31	9.5	8.45			
189	28	10	7.45			
214	25	11	6.60			

0.75 kW

4.2	1640	0.85	333.79	K53G22A DL80G4	140/141	58
4.6	1480	0.95	301.24	K53G22B DL80G4		58
5.0	1360	1.05	277.28	K53G22C DL80G4		62
5.6	1220	1.15	247.82			
6.4	1080	1.30	220.06			
7.2	960	1.50	195.01			
8.1	850	1.70	173.54			

Helical Bevel Geared Motors K



n2	T2	cG	i	Type	Dimensions	~kg
[1/min]	[Nm]				Page	

0.75 kW

10	710	2.0	138.94	K53A DL80G4	140	53
11	630	2.3	123.46	K53B DL80G4		53
13	565	2.5	110.68	K53C DL80G4		56
14	510	2.8	99.94			
15	465	3.1	90.79			
17	425	3.4	83.01			
7.7	895	0.85	181.81	K43G12A DL80G4	139/141	39
8.5	810	0.90	164.95	K43G12B DL80G4		39
9.6	720	0.95	146.17	K43G12C DL80G4		41
12	590	1.25	114.99	K43A DL80G4	139	34
14	520	1.45	101.80	K43B DL80G4		34
15	465	1.60	90.90	K43C DL80G4		36
17	420	1.80	81.75			
19	380	1.95	73.96			
21	345	2.2	67.41			
23	310	2.4	60.14			
16	460	0.85	89.71	K33A DL80G4	138	26
18	405	1.00	78.85	K33B DL80G4		26
20	355	1.10	69.88	K33C DL80G4		28
22	320	1.25	62.34			
25	285	1.40	55.92			
28	260	1.55	50.82			
31	230	1.75	44.80			
35	205	1.95	39.68			
51	139	2.9	27.26			
58	124	3.2	24.15			
65	110	3.6	21.55			
72	99	4.0	19.33			
80	90	4.4	17.57			
90	79	5.0	15.49			
102	70	5.7	13.72			
151	48	5.1	9.30			
166	43	6.9	8.45			
188	38	7.5	7.45			
212	34	8.0	6.60			

1.1 kW

5.7	1760	0.80	247.82	K53G22A DL90S4	140/141	62
6.1	1670	0.85	234.62	K53G22B DL90S4		62
6.5	1560	0.90	220.06	K53G22C DL90S4		65
6.6	1530	0.95	215.96			
7.3	1380	1.05	195.01			
7.4	1370	1.05	193.02			
8.2	1230	1.15	173.54			
8.3	1220	1.15	171.40			
9.3	1080	1.30	151.88			
9.6	1060	1.25	148.66			
12	915	1.55	123.46	K53A DL90S4	140	56
13	820	1.75	110.68	K53B DL90S4		56
14	740	1.95	99.94	K53C DL90S4		60
16	670	2.1	90.79			
17	615	2.3	83.01			
19	550	2.6	74.48			
21	495	2.9	67.22			
23	460	3.1	61.87			
26	410	3.5	55.30			

n2	T2	cG	i	Type	Dimensions	~kg
[1/min]	[Nm]				Page	

1.1 kW

14	755	1.00	101.80	K43A DL90S4	139	37
16	670	1.10	90.90	K43B DL90S4		37
17	605	1.25	81.75	K43C DL90S4		39
19	545	1.35	73.96			
21	500	1.50	67.41			
24	445	1.65	60.14			
26	400	1.85	53.94			
29	360	2.1	48.94			
33	320	2.3	43.37			
37	280	2.6	38.17			
42	245	3.0	33.43			
56	189	3.9	25.56			
23	460	0.85	62.34	K33A DL90S4	138	29
25	415	0.95	55.92	K33B DL90S4		29
28	375	1.05	50.82	K33C DL90S4		32
32	330	1.20	44.80			
36	295	1.35	39.68			
40	265	1.50	35.51			
46	230	1.75	30.91			
52	200	2.00	27.26			
59	179	2.2	24.15			
66	159	2.5	21.55			
73	143	2.8	19.33			
81	130	3.1	17.57			
92	115	3.5	15.49			
104	101	3.9	13.72			
116	91	4.4	12.27			
133	79	5.0	10.68			
153	69	3.5	9.30			
168	63	4.8	8.45			
191	55	5.2	7.45			
215	49	5.5	6.60			
240	44	6.0	5.91			
276	38	6.6	5.14			

1.5 kW

8.1	1700	0.85	173.54	K53G22A DL90L4	140/141	63
8.2	1680	0.85	171.40	K53G22B DL90L4		63
9.3	1490	0.95	151.88	K53G22C DL90L4		67
9.5	1460	0.90	148.66			
11	1260	1.15	123.46	K53A DL90L4	140	58
13	1130	1.25	110.68	K53B DL90L4		58
14	1020	1.40	99.94	K53C DL90L4		62
15	925	1.55	90.79			
17	845	1.70	83.01			
19	760	1.90	74.48			
21	685	2.1	67.22			
23	630	2.3	61.87			
25	565	2.5	55.30			
29	500	2.9	49.10			

Helical Bevel Geared Motors K



n2	T2	cG	i	Type	Dimensions	~kg
[1/min]	[Nm]				Page	

1.5 kW

15	925	0.80	90.90	K43A DL90L4	139	39
17	835	0.90	81.75	K43B DL90L4		39
19	755	1.00	73.96	K43C DL90L4		41
21	685	1.10	67.41			
23	615	1.20	60.14			
26	550	1.35	53.94			
29	500	1.50	48.94			
32	440	1.70	43.37			
37	390	1.90	38.17			
42	340	2.2	33.43			
55	260	2.9	25.56			
60	240	3.1	23.30			
68	210	3.5	20.79			
75	190	3.7	18.65			
83	172	4.0	16.92			
94	153	4.4	14.99			
106	135	4.8	13.20			
122	118	5.2	11.56			
163	88	5.3	8.60			

31	455	0.85	44.80	K33A DL90L4	138	31
35	405	1.00	39.68	K33B DL90L4		31
40	360	1.10	35.51	K33C DL90L4		33
45	315	1.25	30.91			
52	280	1.45	27.26			
58	245	1.60	24.15			
65	220	1.80	21.55			
73	197	2.0	19.33			
80	179	2.2	17.57			
91	158	2.5	15.49			
102	140	2.9	13.72			
114	125	3.2	12.27			
132	109	3.7	10.68			
151	95	2.5	9.30			
166	86	3.5	8.45			
189	76	3.8	7.45			
213	67	4.0	6.60			
238	60	4.3	5.91			
273	52	4.8	5.14			

2.2 kW

13	1640	0.85	110.68	K53A DL100L4	140	63
14	1480	0.95	99.94	K53B DL100L4		63
16	1350	1.05	90.79	K53C DL100L4		67
17	1230	1.15	83.01			
19	1110	1.30	74.48			
21	1000	1.45	67.22			
23	920	1.55	61.87			
26	820	1.75	55.30			
29	730	1.95	49.10			
33	645	2.2	43.51			
37	575	2.5	38.72			
48	440	3.3	29.56			
53	395	3.6	26.68			
58	365	3.9	24.56			

n2	T2	cG	i	Type	Dimensions	~kg
[1/min]	[Nm]				Page	

2.2 kW

24	895	0.85	60.14	K43A DL100L4	139	46
26	800	0.95	53.94	K43B DL100L4		46
29	725	1.00	48.94	K43C DL100L4		48
33	645	1.15	43.37			
37	565	1.30	38.17			
42	495	1.50	33.43			
48	435	1.70	29.37			
55	380	1.95	25.56			
61	345	2.1	23.30			
68	310	2.4	20.79			
76	275	2.6	18.65			
84	250	2.7	16.92			
94	225	3.0	14.99			
107	196	3.3	13.20			
122	172	3.6	11.56			
139	151	3.9	10.15			
165	128	3.6	8.60			
186	113	4.0	7.62			
211	100	4.4	6.71			
241	87	4.8	5.87			
274	77	5.2	5.16			

46	460	0.85	30.91	K33A DL100L4	138	37
59	360	1.10	24.15	K33B DL100L4		37
66	320	1.25	21.55	K33C DL100L4		40
73	285	1.40	19.33			
81	260	1.55	17.57			
91	230	1.75	15.49			
103	205	1.95	13.72			
115	182	2.2	12.27			
132	159	2.5	10.68			
152	138	1.75	9.30			
167	125	2.4	8.45			
190	111	2.6	7.45			
214	98	2.8	6.60			
240	88	3.0	5.91			
275	76	3.3	5.14			

3.0 kW

17	1660	0.85	83.01	K53A DL100LX4	140	67
19	1490	0.95	74.48	K53B DL100LX4		67
21	1350	1.05	67.22	K53C DL100LX4		70
23	1240	1.15	61.87			
26	1110	1.30	55.30			
29	985	1.45	49.10			
33	870	1.65	43.51			
37	775	1.85	38.72			
48	590	2.4	29.56			
54	535	2.7	26.68			
58	490	2.9	24.56			
65	440	3.2	21.95			
73	390	3.7	19.49			
83	345	4.1	17.27			
93	310	4.6	15.37			
133	215	4.0	10.75			
150	191	4.3	9.55			

Helical Bevel Geared Motors K



n2	T2	cG	i	Type	Dimensions	~kg
[1/min]	[Nm]				Page	

3.0 kW

33	870	0.85	43.37	K43A DL100LX4	139	49
37	765	0.95	38.17	K43B DL100LX4		49
43	670	1.10	33.43	K43C DL100LX4		51
49	590	1.25	29.37			
56	510	1.45	25.56			
61	465	1.60	23.30			
69	415	1.75	20.79			
77	375	1.90	18.65			
85	340	2.0	16.92			
95	300	2.2	14.99			
108	265	2.4	13.20			
124	230	2.7	11.56			
141	205	2.9	10.15			
166	172	2.7	8.60			
188	153	2.9	7.62			
213	134	3.2	6.71			
243	118	3.5	5.87			
277	103	3.9	5.16			

59	485	0.80	24.15	K33A DL100LX4	138	41
66	430	0.90	21.55	K33B DL100LX4		41
74	385	1.05	19.33	K33C DL100LX4		43
81	350	1.15	17.57			
92	310	1.30	15.49			
104	275	1.45	13.72			
116	245	1.60	12.27			
134	215	1.85	10.68			
154	186	1.30	9.30			
169	169	1.75	8.45			
192	149	1.90	7.45			
217	132	2.0	6.60			
242	118	2.2	5.91			
278	103	2.4	5.14			

4.0 kW

21	1790	0.80	67.22	K53A DL112M4	140	80
23	1650	0.85	61.87	K53B DL112M4		80
26	1470	0.95	55.30	K53C DL112M4		83
29	1310	1.10	49.10			
33	1160	1.25	43.51			
37	1030	1.40	38.72			
49	785	1.80	29.56			
54	710	2.0	26.68			
58	655	2.2	24.56			
65	585	2.4	21.95			
74	520	2.8	19.49			
83	460	3.1	17.27			
93	410	3.5	15.37			
133	285	3.0	10.75			
150	255	3.2	9.55			
170	225	3.5	8.46			
191	200	3.7	7.53			

n2	T2	cG	i	Type	Dimensions	~kg
[1/min]	[Nm]				Page	

4.0 kW

43	890	0.85	33.43	K43A DL112M4	139	62
49	780	0.95	29.37	K43B DL112M4		62
56	680	1.10	25.56	K43C DL112M4		64
62	620	1.20	23.30			
69	555	1.35	20.79			
77	495	1.45	18.65			
85	450	1.55	16.92			
96	400	1.65	14.99			
109	350	1.80	13.20			
124	310	2.00	11.56			
141	270	2.2	10.15			
167	230	2.0	8.60			
188	205	2.2	7.62			
214	179	2.4	6.71			
244	156	2.7	5.87			
278	137	2.9	5.16			

82	470	0.85	17.57	K33A DL112M4	138	54
93	410	0.95	15.49	K33B DL112M4		54
105	365	1.10	13.72	K33C DL112M4		56
117	325	1.20	12.27			
134	285	1.40	10.68			
154	250	0.95	9.30			
170	225	1.30	8.45			
193	198	1.45	7.45			
217	176	1.55	6.60			
243	157	1.65	5.91			
279	137	1.85	5.14			

5.5 kW

30	1780	0.80	49.10	K53A DA132S4	140	87
33	1580	0.90	43.51	K53B DA132S4		87
37	1400	1.00	38.72	K53C DA132S4		91
44	1200	1.20	33.17			
49	1070	1.35	29.56			
54	965	1.50	26.68			
59	890	1.60	24.56			
66	795	1.80	21.95			
74	705	2.0	19.49			
84	625	2.3	17.27			
94	555	2.6	15.37			
110	475	3.0	13.17			
125	420	3.2	11.61			
135	390	2.2	10.75			
152	345	2.4	9.55			
171	305	2.5	8.46			
193	275	2.7	7.53			
225	235	3.0	6.45			
255	205	3.2	5.69			

70	755	1.00	20.79	K43A DA132S4	139	69
78	675	1.05	18.65	K43B DA132S4		69
86	615	1.15	16.92	K43C DA132S4		71
97	545	1.20	14.99			
110	480	1.35	13.20			
125	420	1.45	11.56			
143	370	1.60	10.15			
169	310	1.50	8.60			
190	275	1.65	7.62			
216	245	1.80	6.71			
247	215	1.95	5.87			
281	187	2.1	5.16			

Helical Bevel Geared Motors K



n2	T2	cG	i	Type	Dimensions	~kg
[1/min]	[Nm]				Page	

7.5 kW

44	1640	0.85	33.17	K53A DA132M4	140	92
49	1460	1.00	29.56	K53B DA132M4		92
54	1320	1.10	26.68	K53C DA132M4		95
59	1210	1.20	24.56			
66	1080	1.30	21.95			
74	965	1.50	19.49			
84	855	1.65	17.27			
94	760	1.90	15.37			
110	650	2.2	13.17			
125	575	2.3	11.61			
135	530	1.60	10.75			
152	470	1.75	9.55			
171	420	1.85	8.46			
193	370	2.00	7.53			
225	320	2.2	6.45			
255	280	2.3	5.69			

86	835	0.85	16.92	K43A DA132M4	139	74
97	740	0.90	14.99	K43B DA132M4		74
110	650	1.00	13.20	K43C DA132M4		76
125	570	1.10	11.56			
143	500	1.20	10.15			
169	425	1.10	8.60			
190	375	1.20	7.62			
216	330	1.30	6.71			
247	290	1.45	5.87			
281	255	1.55	5.16			

9.2 kW

67	1310	1.10	21.95	K53A DA160MS4	140	113
75	1160	1.25	19.49	K53B DA160MS4		113
85	1030	1.40	17.27	K53C DA160MS4		117
96	920	1.55	15.37			
112	785	1.80	13.17			
127	695	1.95	11.61			
137	645	1.35	10.75			
154	570	1.45	9.55			
174	505	1.55	8.46			
195	450	1.65	7.53			
228	385	1.80	6.45			
258	340	1.95	5.69			

11.0 kW

67	1570	0.90	21.95	K53A DA160M4	140	113
75	1390	1.05	19.49	K53B DA160M4		113
85	1230	1.15	17.27	K53C DA160M4		117
96	1100	1.30	15.37			
112	940	1.50	13.17			
127	830	1.60	11.61			
137	770	1.10	10.75			
154	680	1.20	9.55			
174	605	1.30	8.46			
195	540	1.40	7.53			
228	460	1.50	6.45			
258	405	1.60	5.69			

n2	T2	cG	i	Type	Dimensions	~kg
[1/min]	[Nm]				Page	

15.0 kW

85	1680	0.85	17.27	K53A DA160L4	140	133
96	1500	0.95	15.37	K53B DA160L4		133
112	1280	1.10	13.17	K53C DA160L4		136
127	1130	1.20	11.61			
137	1050	0.80	10.75			
154	930	0.90	9.55			
174	825	0.95	8.46			
195	735	1.00	7.53			
228	630	1.10	6.45			
258	555	1.20	5.69			

Helical Bevel Geared Motors K for very low Output Speeds



n2 [1/min]	i	Type	Dimensions Page	~kg
---------------	---	------	--------------------	-----

1430 Nm

0.12	11426	K53G23A DL63K4	140/141	54
0.14	9761.9	K53G23B DL63K4		54
0.17	8447.9	K53G23C DL63K4		57
0.19	7384.3			
0.22	6505.6			
0.24	5767.5			
0.27	5175.3			
0.31	4523.7			
0.35	3985.4			
0.40	3533.2			
0.46	3093.4			
0.52	2725.3			
0.58	2416.1			

745 Nm

0.13	10485	K43G13A DL63K4	139/141	34
0.16	8888.4	K43G13B DL63K4		34
0.18	7628.2	K43G13C DL63K4		36
0.21	6608.0			
0.24	5765.3			
0.28	5057.3			
0.32	4454.3			
0.36	3916.8			
0.42	3361.5			
0.48	2911.9			
0.55	2540.6			
0.62	2261.4	K43G12A DL63K4	139/141	34
0.73	1932.0	K43G12B DL63K4		34
0.84	1672.0	K43G12C DL63K4		36
0.96	1461.5			
1.1	1287.6			

n2 [1/min]	i	Type	Dimensions Page	~kg
---------------	---	------	--------------------	-----

400 Nm

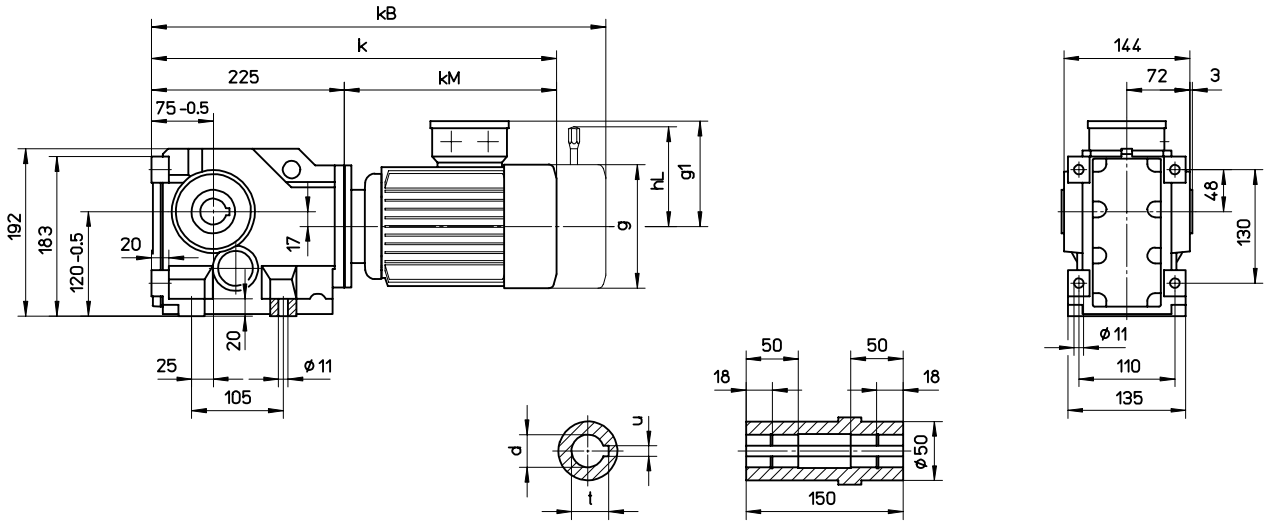
0.17	8059.3	K33G13A DL63K4	138/141	26
0.21	6832.3	K33G13B DL63K4		26
0.24	5863.6	K33G13C DL63K4		28
0.28	5079.4			
0.32	4431.6			
0.36	3887.4			
0.41	3423.9			
0.47	3010.7			
0.55	2583.9			
0.63	2238.3			
0.72	1952.8			
0.81	1738.3	K33G12A DL63K4	138/141	26
0.95	1485.1	K33G12B DL63K4		26
1.1	1285.2	K33G12C DL63K4		28
1.3	1123.4			
1.4	989.70			
1.6	877.42			
1.8	781.77			
2.0	701.79			

Helical Bevel Geared Motors K



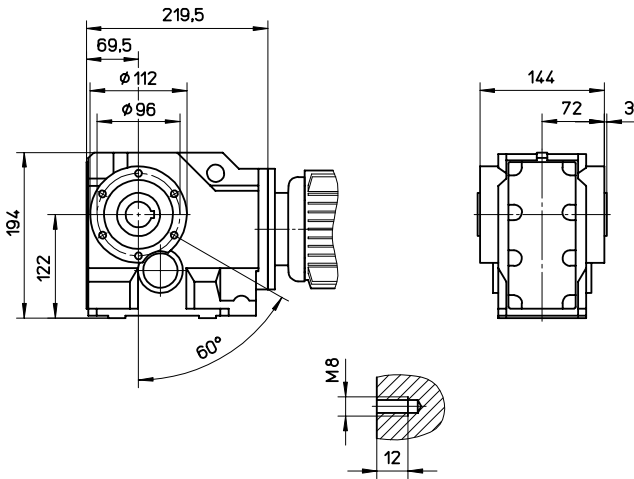
K33A

Foot mounted version



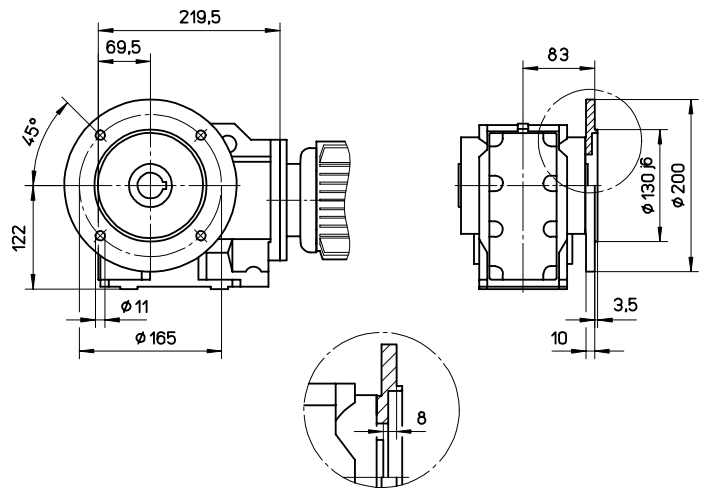
K33B

Shaft mounted version



K33C

Flange mounted version



	k	k _B	k _M	g	g ₁	h _L
K33_DL63/71	421.5	475.5	196.5	126	113	106
K33_DL80	465	522	240	142	121	114
K33_DL90	509	574	284	160	130	128
K33_DL100	559	630	334	180	141	168
K33_DL112	600	687	375	200	151	176

Hollow shaft	d	t	u
35	35H7	38.3	10
30	30H7	33.3	8

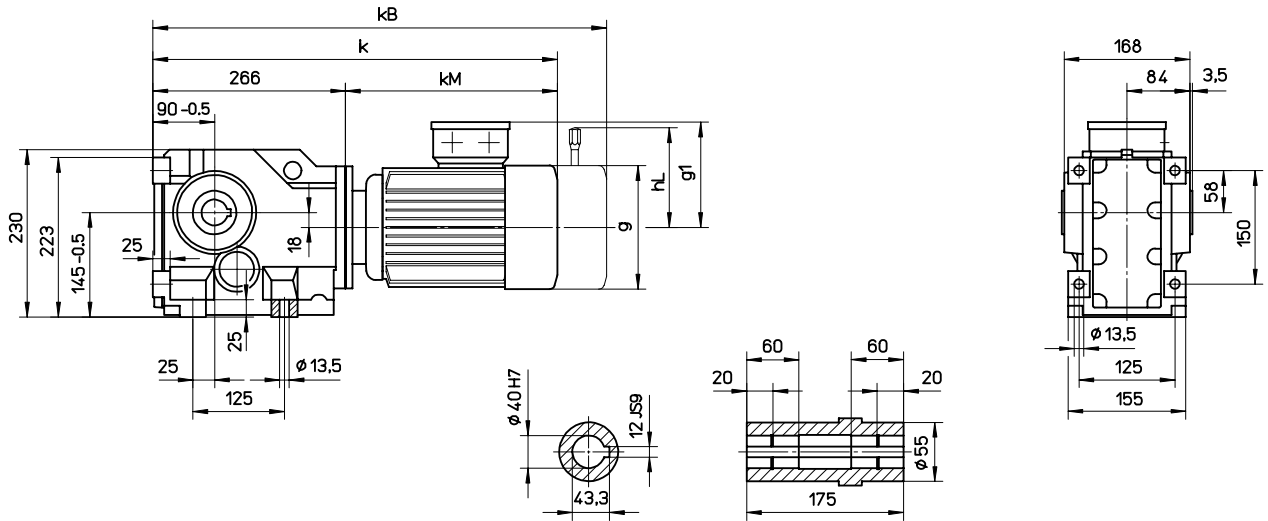
Dimensions k_B and h_L apply to geared motors with brake.

Helical Bevel Geared Motors K



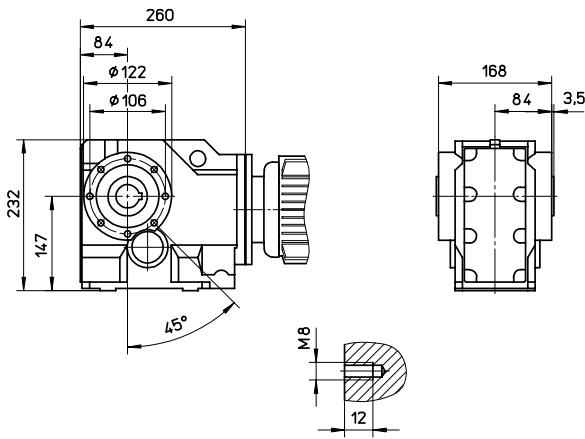
K43A

Foot mounted version



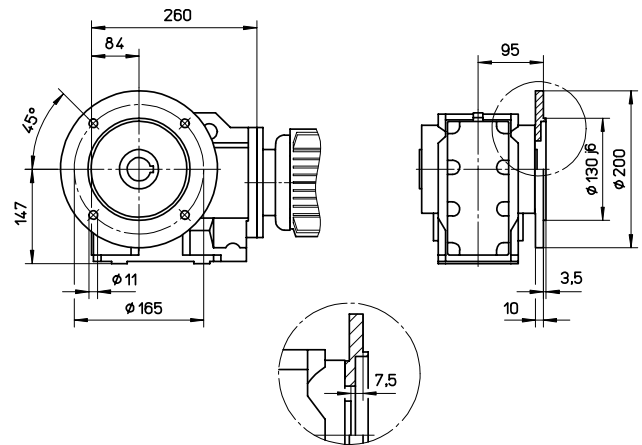
K43B

Shaft mounted version



K43C

Flange mounted version



	k	k _B	k _M	g	g ₁	h _L
K43_DL63/71	462	516	196	126	113	106
K43_DL80	505.5	562.5	239.5	142	121	114
K43_DL90	551.5	616.5	285.5	160	130	128
K43_DL100	600	671	334	180	141	168
K43_DL112	641.5	728.5	375.5	200	151	176
K43_DL132	701	800	435	245	188	225

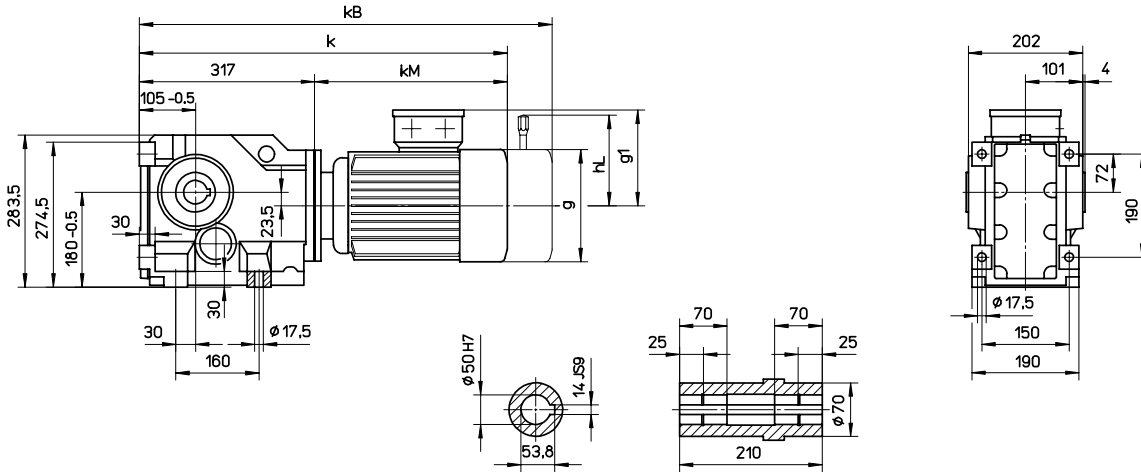
Dimensions k_B and h_L apply to geared motors with brake.

Helical Bevel Geared Motors K



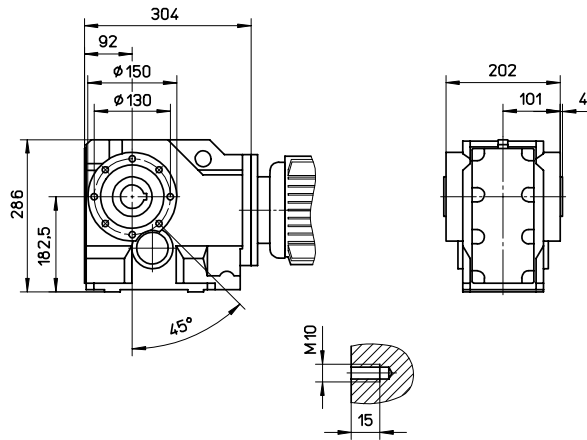
K53A

Foot mounted version



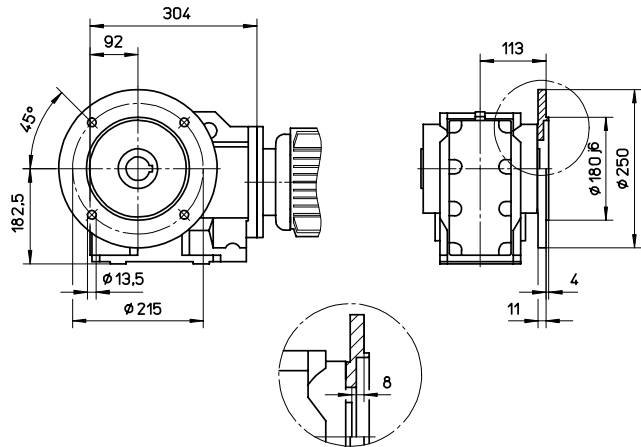
K53B

Shaft mounted version



K53C

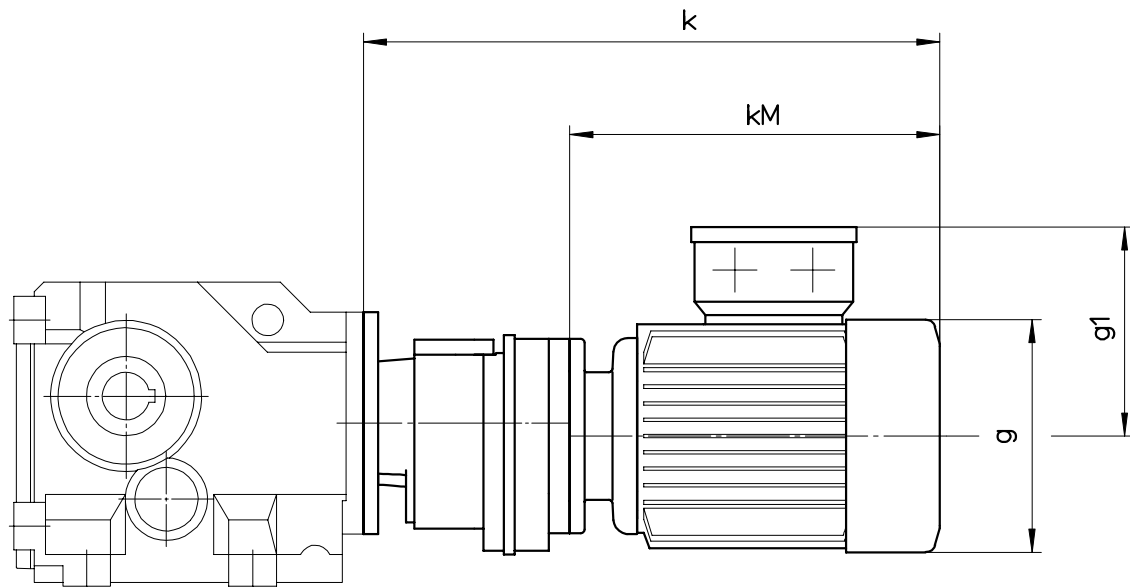
Flange mounted version



	k	kB	kM	g	g1	hL
K53_DL63/71	509.5	563.5	192.5	126	113	106
K53_DL80	553	610	236	142	121	114
K53_DL90	599	664	282	160	130	128
K53_DL100	646	717	329	180	141	168
K53_DL112	688	775	371	200	151	176
K53_DA132	748.5	847.5	431.5	245	188	225
K53_DA160	856.5	976.5	539.5	311	250	256

Dimensions kB and hL apply to geared motors with brake.

Helical Bevel Geared Motors K for very low Output Speeds

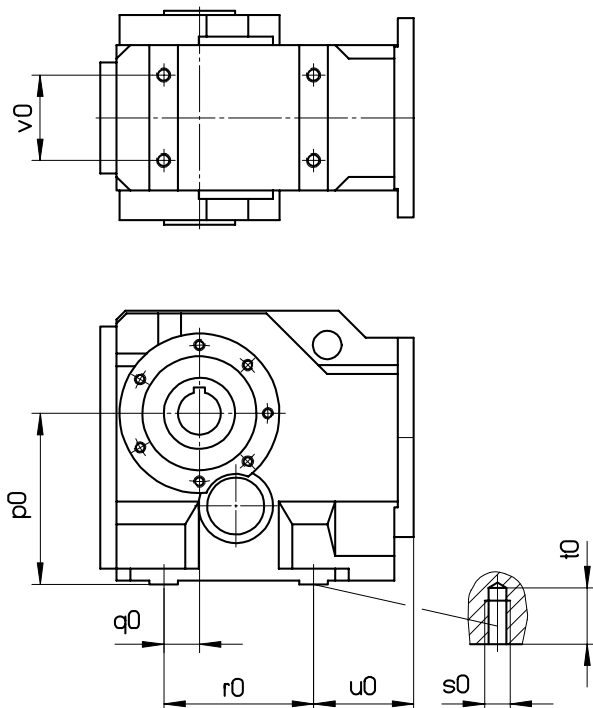


	k	kM	g	g1
K33G1 DL63/71	323	200	126	113
K33G1 DL80	366	243	142	121
K43G1 DL63/71	323	200	126	113
K43G1 DL80	366	243	142	121
K53G2 DL63/71	342	197	126	113
K53G2 DL80	385	240	142	121
K53G2 DL90	429	284	160	130

Helical Bevel Gear Units K

Shaft mounted version + foot area

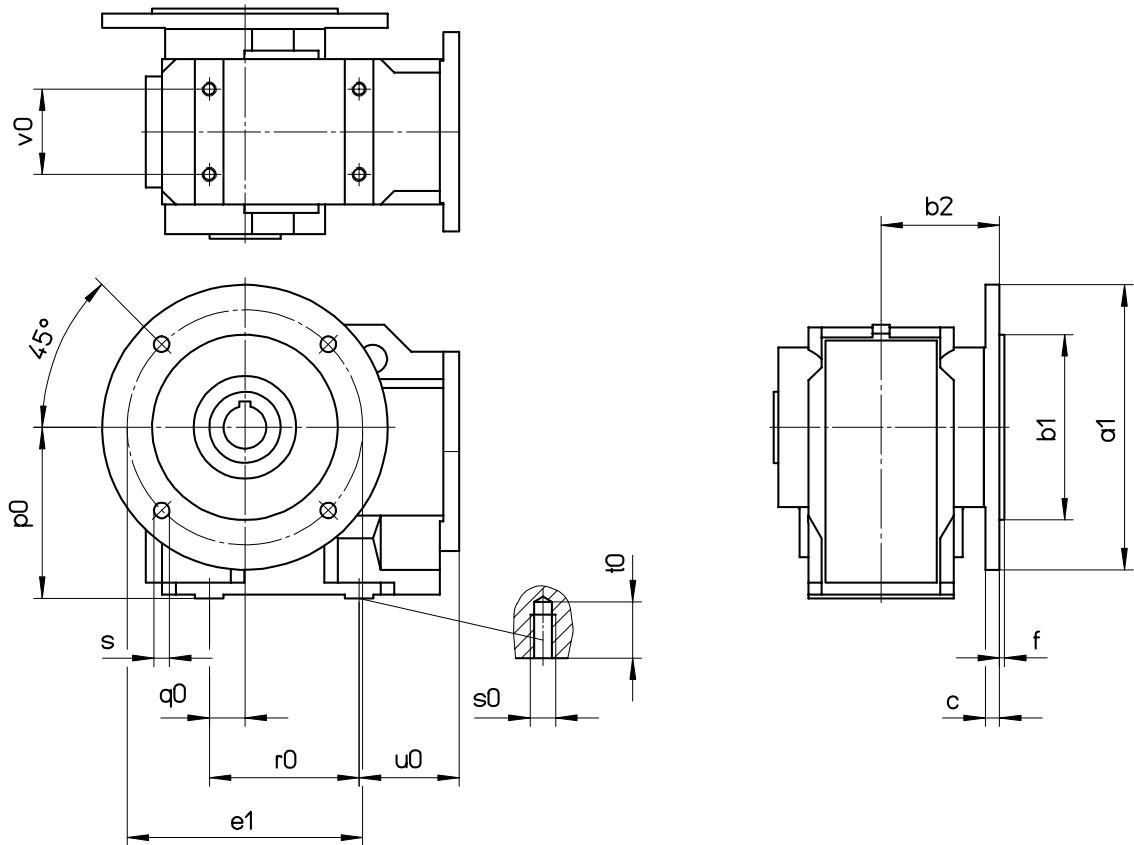
KEB



Gear	p0	q0	r0	s0	t0	u0	v0
K3	120	25	105	M10	15	70	60
K4	145	25	125	M12	18	76	70
K5	180	40	160	M16	24	92	80

Helical Bevel Gear Units K

Flange mounted version + foot area

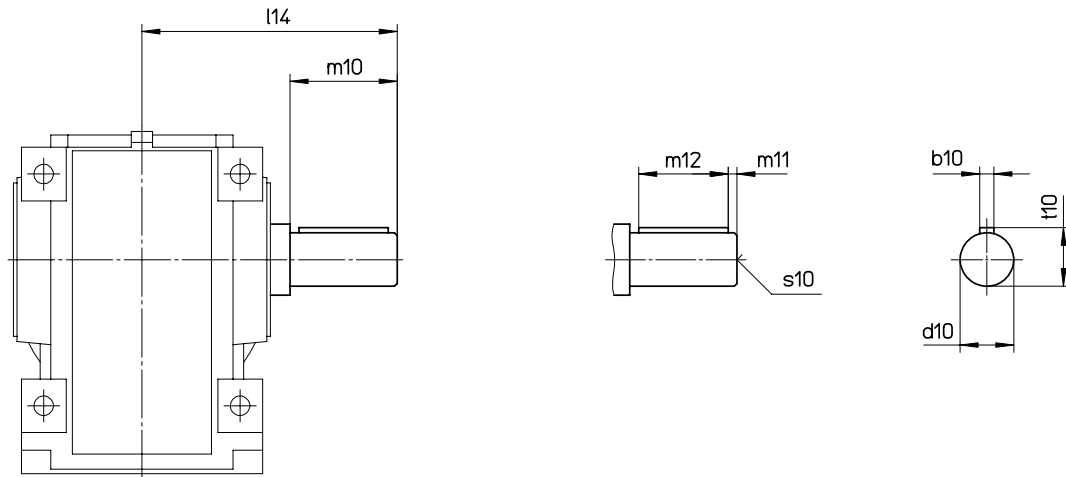


Gear	p0	q0	r0	s0	t0	u0	v0	a1	e1	b1	s	c	f	b2
K3	120	25	105	M10	15	70	60	200	165	130 j6	11	10	3.5	83
K4	145	25	125	M12	18	76	70	200	165	130 j6	11	10	3.5	95
K5	180	40	160	M16	24	92	80	250	215	180 j6	13.5	11	4	113

Helical Bevel Gear Units K

Version with Solid shaft

KEB

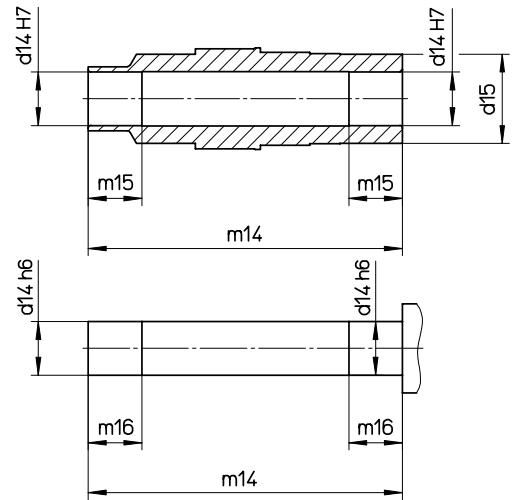
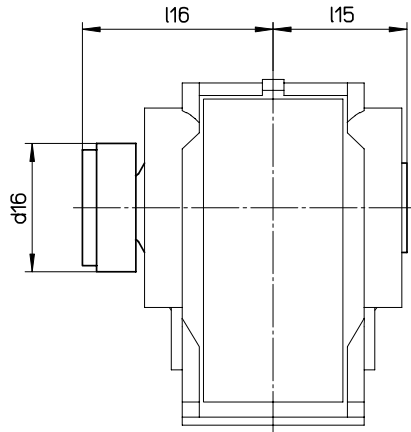


Gear	d10	m10	m11	m12	b10	t10	s10	l14
K3	30	60	5	50	8	33	M10	143
K3	35	70	7	56	10	38	M12	153
K4	40	80	5	70	12	43	M16	175
K5	50	100	10	80	14	53.5	M16	213

Helical Bevel Gear Units K

Version with Hollow shaft and Shrink disc

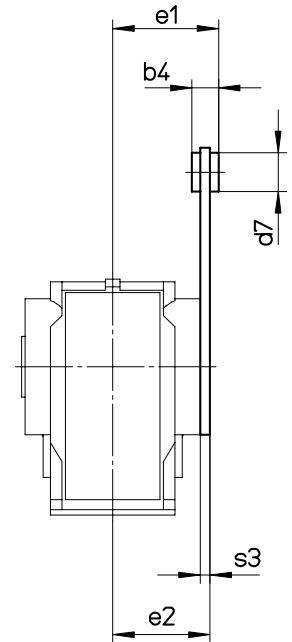
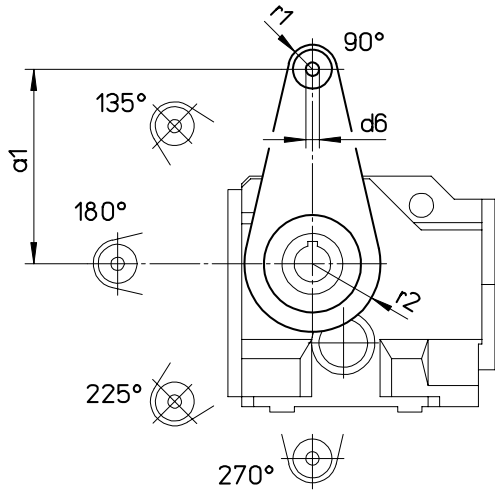
KEB



Gear	d14	d15	d16	m14	m15	m16	l15	l16
K3	30	45	72	176	30	32	75	109
K3	35	45	80	176	30	32	75	109
K4	40	55	90	202	40	42	87.5	122.5
K5	50	70	110	242	50	52	105	145

Helical Bevel Gear Units K

Torque arm T1



Gear	a1	b4	d6	d7	e1	e2	s3	r1	r2
K3	160	22	11	32	87	80	8	20	56
K4	200	22	11	32	99	92	8	20	61
K5	250	32	17	40	121	109	8	28	75

Helical Bevel Gear Units K



i	n2 [1/min] n1=1400	T2max [Nm]	P1max [kW]	-W	Motor adapter	Motor adapter	Motor adapter
					-M IEC	-M NEMA	-M S

K33G13

8059.3	0.17	399	<0.05	W1	63 71	56	70
6832.3	0.20	399	<0.05	W1	63 71	56	70
5863.6	0.24	399	<0.05	W1	63 71	56	70
5079.4	0.28	399	<0.05	W1	63 71	56	70
4431.6	0.32	399	<0.05	W1	63 71	56	70
3887.4	0.36	399	<0.05	W1	63 71	56	70
3423.9	0.41	399	<0.05	W1	63 71	56	70
3010.7	0.47	399	<0.05	W1	63 71	56	70
2583.9	0.54	399	<0.05	W1	63 71	56	70
2238.3	0.63	399	<0.05	W1	63 71	56	70
1952.8	0.72	399	<0.05	W1	63 71	56	70

K33G12

1738.3	0.81	399	<0.05	W1	63 71	56	70
1485.1	0.94	399	<0.05	W1	63 71	56	70
1285.2	1.1	399	<0.05	W1	63 71	56	70
1123.4	1.2	399	0.05	W1	63 71	56	70
989.70	1.4	399	0.06	W1	63 71	56	70
877.42	1.6	399	0.07	W1	63 71	56	70
781.77	1.8	399	0.07	W1	63 71	56	70
701.79	2.0	399	0.08	W1	63 71	56	70
612.54	2.3	399	0.10	W1	63 71	56	70
536.51	2.6	399	0.11	W1	63 71	56	70
493.12	2.8	399	0.12	W1	63 71	56	70
434.44	3.2	399	0.13	W1	63 71	56	70
385.15	3.6	399	0.15	W1	63 71	56	70
343.16	4.1	399	0.17	W1	63 71	56	70
308.06	4.5	399	0.19	W1	63 71 80	56 140	70 90
268.88	5.2	399	0.22	W1	63 71 80	56 140	70 90
235.51	5.9	399	0.25	W1	63 71 80	56 140	70 90
210.10	6.7	399	0.28	W1	63 71 80	56 140	70 90
188.46	7.4	399	0.31	W1	63 71 80	56 140	70 90
171.28	8.2	399	0.34	W1	63 71 80	56 140	70 90
151.01	9.3	399	0.39	W1	63 71 80 90	56 140	70 90 110
133.74	10	399	0.44	W1	63 71 80 90	56 140	70 90 110
119.69	12	399	0.49	W1	63 71 80 90	56 140	70 90 110
104.17	13	399	0.56	W1	63 71 80 90	56 140	70 90 110

Helical Bevel Gear Units K



i	n2 [1/min] n1=1400	T2max [Nm]	P1max [kW]	-W	Motor adapter	Motor adapter	Motor adapter
					-M IEC	-M NEMA	-M S

K33

120.13	12	399	0.49	W1	63 71	56	70
103.13	14	399	0.57	W1	63 71	56	70
89.71	16	399	0.65	W2	63 71 80	56 140	70 90
78.85	18	399	0.74	W2	63 71 80 90	56 140	70 90 110
69.88	20	399	0.84	W2	63 71 80 90 100	56 140 180	70 90 110 140
62.34	22	399	0.94	W2	63 71 80 90 100	56 140 180	70 90 110 140
55.92	25	399	1.05	W2	63 71 80 90 100	56 140 180	70 90 110 140
50.82	28	399	1.15	W2	63 71 80 90 100	56 140 180	70 90 110 140
44.80	31	399	1.31	W2	63 71 80 90 100	56 140 180	70 90 110 140
39.68	35	399	1.47	W2	63 71 80 90 100	56 140 180	70 90 110 140
35.51	39	399	1.65	W2	80 90 100 112	140 180	90 110 140
30.91	45	399	1.89	W3	80 90 100 112	140 180	90 110 140
27.26	51	399	2.15	W2	63 71 80 90	56 140	70 90 110
24.15	58	399	2.42	W3	63 71 80 90 100	56 140 180	70 90 110 140
21.55	65	399	2.71	W3	63 71 80 90 100 112	56 140 180	70 90 110 140
19.33	72	399	3.03	W3	63 71 80 90 100 112	56 140 180	70 90 110 140
17.57	80	399	3.33	W3	63 71 80 90 100 112	56 140 180	70 90 110 140
15.49	90	399	3.78	W3	63 71 80 90 100 112	56 140 180	70 90 110 140
13.72	102	399	4.00	W3	63 71 80 90 100 112	56 140 180	70 90 110 140
12.27	114	399	4.00	W3	80 90 100 112	140 180	90 110 140
10.68	131	399	4.00	W3	80 90 100 112	140 180	90 110 140
9.30	151	241	3.80	W3	63 71 80 90 100 112	56 140 180	70 90 110 140
8.45	166	298	4.00	W3	63 71 80 90 100 112	56 140 180	70 90 110 140
7.45	188	286	4.00	W3	63 71 80 90 100 112	56 140 180	70 90 110 140
6.60	212	270	4.00	W3	63 71 80 90 100 112	56 140 180	70 90 110 140
5.91	237	260	4.00	W3	80 90 100 112	140 180	90 110 140
5.14	272	250	4.00	W3	80 90 100 112	140 180	90 110 140

Helical Bevel Gear Units K



i	n2 [1/min] n1=1400	T2max [Nm]	P1max [kW]	-W	Motor adapter	Motor adapter	Motor adapter
					-M IEC	-M NEMA	-M S

K43G13

10485	0.13	743	<0.05	W1	63 71	56	70
8888.4	0.16	743	<0.05	W1	63 71	56	70
7628.2	0.18	743	<0.05	W1	63 71	56	70
6608.0	0.21	743	<0.05	W1	63 71	56	70
5765.3	0.24	743	<0.05	W1	63 71	56	70
5057.3	0.28	743	<0.05	W1	63 71	56	70
4454.3	0.31	743	<0.05	W1	63 71	56	70
3916.8	0.36	743	<0.05	W1	63 71	56	70
3361.5	0.42	743	<0.05	W1	63 71	56	70
2911.9	0.48	743	<0.05	W1	63 71	56	70
2540.6	0.55	743	<0.05	W1	63 71	56	70

K43G12

2261.4	0.62	743	<0.05	W1	63 71	56	70
1932.0	0.72	743	0.06	W1	63 71	56	70
1672.0	0.84	743	0.07	W1	63 71	56	70
1461.5	0.96	743	0.07	W1	63 71	56	70
1287.6	1.1	743	0.08	W1	63 71	56	70
1141.5	1.2	743	0.10	W1	63 71	56	70
1017.0	1.4	743	0.11	W1	63 71	56	70
912.99	1.5	743	0.12	W1	63 71	56	70
796.88	1.8	743	0.14	W1	63 71	56	70
697.97	2.0	743	0.16	W1	63 71	56	70
641.52	2.2	743	0.17	W1	63 71	56	70
565.19	2.5	743	0.19	W1	63 71 80	56 140	70 90
501.06	2.8	743	0.22	W1	63 71 80	56 140	70 90
446.44	3.1	743	0.24	W1	63 71 80	56 140	70 90
400.77	3.5	743	0.27	W1	63 71 80	56 140	70 90
349.80	4.0	743	0.31	W1	63 71 80	56 140	70 90
306.38	4.6	743	0.36	W1	63 71 80	56 140	70 90
275.54	5.1	743	0.40	W1	63 71 80 90	56 140	70 90 110
249.26	5.6	743	0.44	W1	63 71 80 90	56 140	70 90 110
227.20	6.2	743	0.48	W1	63 71 80 90	56 140	70 90 110
202.69	6.9	743	0.54	W1	63 71 80 90	56 140	70 90 110
181.81	7.7	743	0.60	W2	63 71 80 90	56 140	70 90 110
164.95	8.5	743	0.66	W2	63 71 80 90	56 140	70 90 110
146.17	9.6	694	0.70	W2	63 71 80 90	56 140	70 90 110
128.66	11	611	0.70	W2	63 71 80 90	56 140	70 90 110

Helical Bevel Gear Units K



i	n2 [1/min] n1=1400	T2max [Nm]	P1max [kW]	-W	Motor adapter	Motor adapter	Motor adapter
					-M IEC	-M NEMA	-M S

K43

151.92	9.2	743	0.72	W1	63 71	56	70
131.28	11	743	0.83	W1	63 71	56	70
114.99	12	743	0.95	W2	63 71 80	56 140	70 90
101.80	14	743	1.07	W2	63 71 80 90	56 140	70 90 110
90.90	15	743	1.20	W2	63 71 80 90 100	56 140 180	70 90 110 140
81.75	17	743	1.33	W2	63 71 80 90 100	56 140 180	70 90 110 140
73.96	19	743	1.47	W2	63 71 80 90 100	56 140 180	70 90 110 140
67.41	21	743	1.62	W2	63 71 80 90 100 112	56 140 180	70 90 110 140
60.14	23	743	1.81	W3	63 71 80 90 100 112	56 140 180	70 90 110 140
53.94	26	743	2.02	W3	63 71 80 90 100 112	56 140 180	70 90 110 140
48.94	29	743	2.23	W3	80 90 100 112	140 180	90 110 140
43.37	32	743	2.51	W3	80 90 100 112	140 180	90 110 140
38.17	37	743	2.85	W3	80 90 100 112	140 180	90 110 140
33.43	42	743	3.26	W3	80 90 100 112 132	140 180 210	90 110 140 190
29.37	48	743	3.71	W3	100 112 132	180 210	140 190
25.56	55	743	4.26	W3	63 71 80 90 100 112	56 140 180	70 90 110 140
23.30	60	743	4.67	W3	63 71 80 90 100 112	56 140 180	70 90 110 140
20.79	67	735	5.2	W4	63 71 80 90 100 112 132	56 140 180 210	70 90 110 140 190
18.65	75	710	5.6	W4	63 71 80 90 100 112 132	56 140 180 210	70 90 110 140 190
16.92	83	690	6.0	W4	80 90 100 112 132	140 180 210	90 110 140 190
14.99	93	665	6.5	W4	80 90 100 112 132	140 180 210	90 110 140 190
13.20	106	640	7.1	W4	80 90 100 112 132	140 180 210	90 110 140 190
11.56	121	615	7.5	W4	80 90 100 112 132	140 180 210	90 110 140 190
10.15	138	590	7.5	W4	100 112 132	180 210	140 190
8.60	163	465	7.5	W4	80 90 100 112 132	140 180 210	90 110 140 190
7.62	184	450	7.5	W4	80 90 100 112 132	140 180 210	90 110 140 190
6.71	209	435	7.5	W4	80 90 100 112 132	140 180 210	90 110 140 190
5.87	238	415	7.5	W4	80 90 100 112 132	140 180 210	90 110 140 190
5.16	271	400	7.5	W4	100 112 132	180 210	140 190

Helical Bevel Gear Units K



i	n2 [1/min] n1=1400	T2max [Nm]	P1max [kW]	-W	Motor adapter		Motor adapter	
					-M IEC		-M NEMA	

K53G23

11426	0.12	1428	<0.05	W1	63 71	56	70
9761.9	0.14	1428	<0.05	W1	63 71	56	70
8447.9	0.17	1428	<0.05	W1	63 71	56	70
7384.3	0.19	1428	<0.05	W1	63 71	56	70
6505.6	0.22	1428	<0.05	W1	63 71	56	70
5767.5	0.24	1428	<0.05	W1	63 71	56	70
5175.3	0.27	1428	<0.05	W1	63 71	56	70
4523.7	0.31	1428	<0.05	W1	63 71	56	70
3985.4	0.35	1428	0.05	W1	63 71	56	70
3533.2	0.40	1428	0.06	W1	63 71	56	70
3093.4	0.45	1428	0.07	W1	63 71	56	70
2725.3	0.51	1428	0.08	W1	63 71	56	70
2416.1	0.58	1428	0.09	W1	63 71	56	70

K53G22

2176.4	0.64	1428	0.10	W1	63 71	56	70
1868.5	0.75	1428	0.11	W1	63 71	56	70
1625.3	0.86	1428	0.13	W1	63 71	56	70
1428.5	0.98	1428	0.15	W1	63 71	56	70
1266.0	1.1	1428	0.17	W1	63 71	56	70
1129.4	1.2	1428	0.19	W1	63 71 80	56 140	70 90
1013.0	1.4	1428	0.21	W1	63 71 80	56 140	70 90
920.69	1.5	1428	0.23	W1	63 71 80	56 140	70 90
811.74	1.7	1428	0.26	W1	63 71 80	56 140	70 90
718.94	1.9	1428	0.29	W1	63 71 80	56 140	70 90
648.83	2.2	1428	0.32	W1	63 71 80	56 140	70 90
597.22	2.3	1428	0.35	W1	63 71 80	56 140	70 90
524.36	2.7	1428	0.40	W1	63 71 80 90	56 140	70 90 110
470.34	3.0	1428	0.45	W1	63 71 80 90	56 140	70 90 110
427.46	3.3	1428	0.49	W1	63 71 80 90	56 140	70 90 110
376.88	3.7	1428	0.56	W1	63 71 80 90	56 140	70 90 110
333.79	4.2	1428	0.63	W2	63 71 80 90	56 140	70 90 110
301.24	4.6	1428	0.69	W2	63 71 80 90	56 140	70 90 110
277.28	5.0	1428	0.75	W2	63 71 80 90 100	56 140 180	70 90 110 140
259.97	5.4	1428	0.81	W2	80 90 100	140 180	90 110 140
247.82	5.6	1428	0.84	W2	63 71 80 90 100	56 140 180	70 90 110 140
234.62	6.0	1428	0.89	W2	80 90 100	140 180	90 110 140
220.06	6.4	1428	0.95	W2	63 71 80 90 100	56 140 180	70 90 110 140
215.96	6.5	1428	0.97	W2	80 90 100	140 180	90 110 140
195.01	7.2	1428	1.07	W2	63 71 80 90 100	56 140 180	70 90 110 140
193.02	7.3	1428	1.08	W2	80 90 100	140 180	90 110 140
173.54	8.1	1428	1.21	W2	63 71 80 90 100	56 140 180	70 90 110 140
171.40	8.2	1428	1.22	W2	80 90 100	140 180	90 110 140
151.88	9.2	1428	1.38	W2	80 90 100	140 180	90 110 140
148.66	9.4	1327	1.31	W2	63 71 80 90 100	56 140 180	70 90 110 140
135.16	10	1428	1.55	W2	80 90 100 112	140 180	90 110 140

Helical Bevel Gear Units K



i	n2 [1/min] n1=1400	T2max [Nm]	P1max [kW]	-W	Motor adapter	Motor adapter	Motor adapter
					-M IEC	-M NEMA	-M S

K53

138.94	10	1428	1.51	W2	63 71 80	56 140	70 90
123.46	11	1428	1.70	W2	63 71 80 90	56 140	70 90 110
110.68	13	1428	1.89	W3	63 71 80 90 100	56 140 180	70 90 110 140
99.94	14	1428	2.09	W3	63 71 80 90 100 112	56 140 180	70 90 110 140
90.79	15	1428	2.31	W3	63 71 80 90 100 112	56 140 180	70 90 110 140
83.01	17	1428	2.52	W3	63 71 80 90 100 112	56 140 180	70 90 110 140
74.48	19	1428	2.81	W3	63 71 80 90 100 112	56 140 180	70 90 110 140
67.22	21	1428	3.11	W3	63 71 80 90 100 112 132	56 140 180 210	70 90 110 140 190
61.87	23	1428	3.38	W3	80 90 100 112 132	140 180 210	90 110 140 190
55.30	25	1428	3.79	W3	80 90 100 112 132	140 180 210	90 110 140 190
49.10	29	1428	4.26	W3	80 90 100 112 132	140 180 210	90 110 140 190
43.51	32	1428	4.81	W4	80 90 100 112 132	140 180 210	90 110 140 190
38.72	36	1428	5.4	W4	100 112 132	180 210	140 190
33.17	42	1428	6.3	W4	132	210	190
29.56	47	1428	7.1	W4	63 71 80 90 100 112 132	56 140 180 210	70 90 110 140 190
26.68	52	1428	7.8	W4	63 71 80 90 100 112 132	56 140 180 210	70 90 110 140 190
24.56	57	1428	8.5	W4	80 90 100 112 132	140 180 210	90 110 140 190
21.95	64	1428	9.5	W4	80 90 100 112 132	140 180 210	90 110 140 190
19.49	72	1428	10.7	W4	80 90 100 112 132	140 180 210	90 110 140 190
17.27	81	1428	12.1	W4	80 90 100 112 132	140 180 210	90 110 140 190
15.37	91	1428	13.6	W4	100 112 132	180 210	140 190
13.17	106	1420	15.0	W4	132	210	190
11.61	121	1340	15.0	W4	132	210	190
10.75	130	860	11.7	W4	80 90 100 112 132	140 180 210	90 110 140 190
9.55	147	820	12.6	W4	80 90 100 112 132	140 180 210	90 110 140 190
8.46	165	780	13.5	W4	80 90 100 112 132	140 180 210	90 110 140 190
7.53	186	740	14.4	W4	100 112 132	180 210	140 190
6.45	217	695	15.0	W4	132	210	190
5.69	246	655	15.0	W4	132	210	190

Helical Bevel Gear Units K

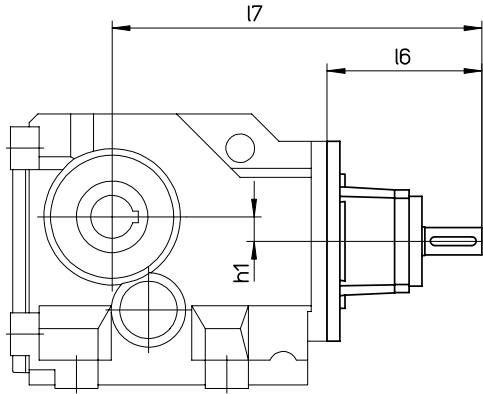


Fig. 1

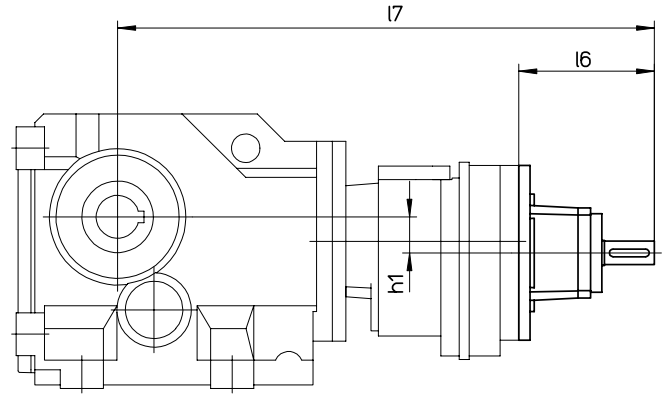


Fig. 2

Type	Fig.	h1	l6	l7
K33 -W1	1	17	75.5	225.5
K33 -W2	1	17	108.5	258.5
K33 -W3	1	17	153.5	303.5
K33G1_-W1	2	22	78.5	351.5
K33G1_-W2	2	22	113.5	386.5
K43 -W1	1	18	75	251
K43 -W2	1	18	110	286
K43 -W3	1	18	154	330
K43 -W4	1	18	192.5	368.5
K43G1_-W1	2	23	78.5	377.5
K43G1_-W2	2	23	113.5	412.5

Type	Fig.	h1	l6	l7
K53 -W1	1	24	71.5	283.5
K53 -W2	1	24	106.5	318.5
K53 -W3	1	24	149.5	361.5
K53 -W4	1	24	189	401
K53G2_-W1	2	35	75.5	432.5
K53G2_-W2	2	35	108.5	465.5

Helical Bevel Gear Units K with Adapter for IEC Motors

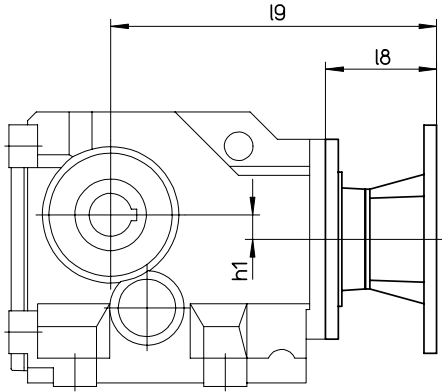


Fig. 1

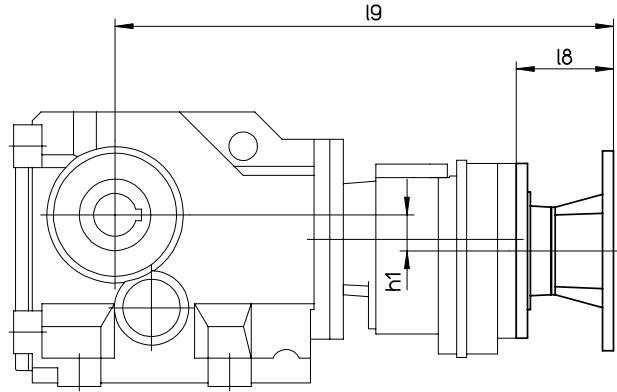


Fig. 2

Type	Fig.	h1	l8	l9
K33 -M IEC63	1	17	71	221
K33 -M IEC71	1	17	78	228
K33 -M IEC80	1	17	113	263
K33 -M IEC90	1	17	123	273
K33 -M IEC100	1	17	156.5	306.5
K33 -M IEC112	1	17	156.5	306.5
K33G1_ -M IEC63	2	22	74	347
K33G1_ -M IEC71	2	22	81	354
K33G1_ -M IEC80	2	22	118	391
K33G1_ -M IEC90	2	22	128	401
K43 -M IEC63	1	18	70.5	246.5
K43 -M IEC71	1	18	77.5	253.5
K43 -M IEC80	1	18	114.5	290.5
K43 -M IEC90	1	18	124.5	300.5
K43 -M IEC100	1	18	157	333
K43 -M IEC112	1	18	157	333
K43 -M IEC132	1	18	196	372
K43G1_ -M IEC63	2	23	74	373
K43G1_ -M IEC71	2	23	81	380
K43G1_ -M IEC80	2	23	118	417
K43G1_ -M IEC90	2	23	128	427

Type	Fig.	h1	l8	l9
K53 -M IEC63	1	24	67	279
K53 -M IEC71	1	24	74	286
K53 -M IEC80	1	24	111	323
K53 -M IEC90	1	24	121	333
K53 -M IEC100	1	24	152.5	364.5
K53 -M IEC112	1	24	152.5	364.5
K53 -M IEC132	1	24	192.5	404.5
K53G2_ -M IEC63	2	35	71	428
K53G2_ -M IEC71	2	35	78	435
K53G2_ -M IEC80	2	35	113	470
K53G2_ -M IEC90	2	35	123	480
K53G2_ -M IEC100	2	35	156.5	513.5
K53G2_ -M IEC112	2	35	156.5	513.5
K53G23 -M IEC71	2	35	78	435

Helical Bevel Gear Units K with Adapter for NEMA Motors

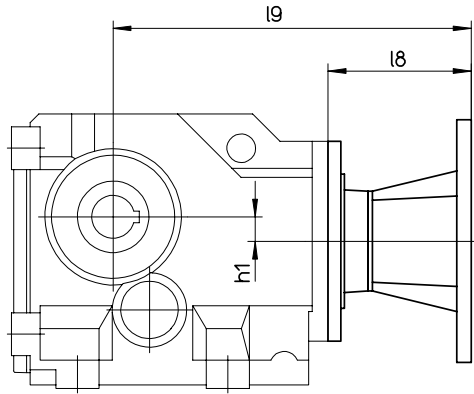


Fig. 1

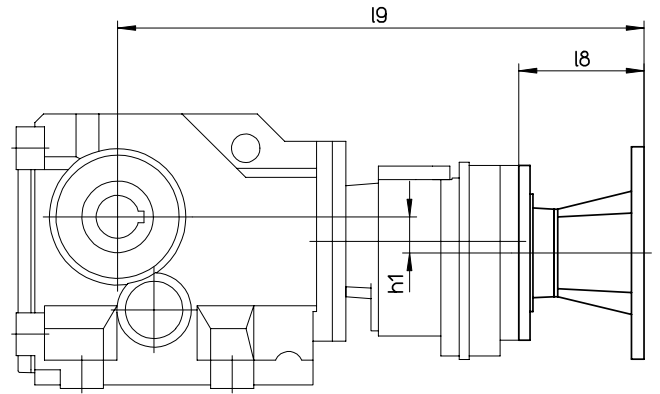


Fig. 2

Type	Fig.	h1	l8	l9
K33 -M NEMA56	1	17	100	250
K33 -M NEMA140	1	17	127	277
K33 -M NEMA180	1	17	163	313
K33G1_ -M NEMA56	2	22	103	376
K33G1_ -M NEMA140	2	22	132	405
K43 -M NEMA56	1	18	99.5	275.5
K43 -M NEMA140	1	18	128.5	304.5
K43 -M NEMA180	1	18	163.5	339.5
K43 -M NEMA210	1	18	195.5	371.5
K43G1_ -M NEMA56	2	23	103	402
K43G1_ -M NEMA140	2	23	132	431

Type	Fig.	h1	l8	l9
K53 -M NEMA56	1	24	96	308
K53 -M NEMA140	1	24	125	337
K53 -M NEMA180	1	24	159	371
K53 -M NEMA210	1	24	192	404
K53G2_ -M NEMA56	2	35	100	457
K53G2_ -M NEMA140	2	35	127	484
K53G2_ -M NEMA180	2	35	163	520

Helical Bevel Gear Units K with Adapter for Servo Motors

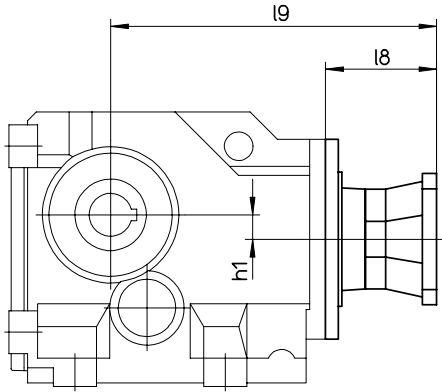


Fig. 1

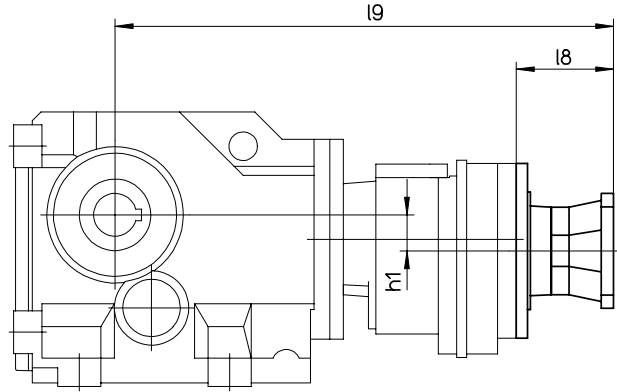


Fig. 2

Type	Fig.	h1	l8	l9
K33 -M S70/1	1	17	71	221
K33 -M S90/1	1	17	103	253
K33 -M S110/1	1	17	113	263
K33 -M S140/1	1	17	146.5	296.5
K33G1_ -M S70/1	2	22	74	347
K33G1_ -M S90/1	2	22	108	381
K33G1_ -M S110/1	2	22	118	391
K43 -M S70/1	1	18	70.5	246.5
K43 -M S90/1	1	18	104.5	280.5
K43 -M S110/1	1	18	114.5	290.5
K43 -M S140/1	1	18	147	323
K43 -M S190/1	1	18	174	350
K43G1_ -M S70/1	2	23	74	373
K43G1_ -M S90/1	2	23	108	407
K43G1_ -M S110/1	2	23	118	417

Type	Fig.	h1	l8	l9
K53 -M S70/1	1	24	67	279
K53 -M S90/1	1	24	101	313
K53 -M S110/1	1	24	111	323
K53 -M S140/1	1	24	142.5	354.5
K53 -M S190/1	1	24	170.5	382.5
K53G2_ -M S70/1	2	35	71	428
K53G2_ -M S90/1	2	35	103	460
K53G2_ -M S110/1	2	35	113	470
K53G2_ -M S140/1	2	35	146.5	503.5

